

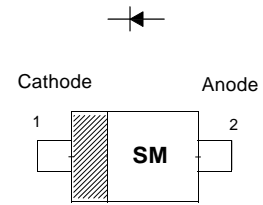


## B16WS Plastic-Encapsulate Diodes

Schottky Barrier Diode

### FEATURES

- Guard ring protection
- Low forward voltage drop
- For use in low voltage, high frequency inverters
- High surge current capability



SOD-323

Marking: SM

### MAXIMUM RATINGS( Ta=25°C unless otherwise noted )

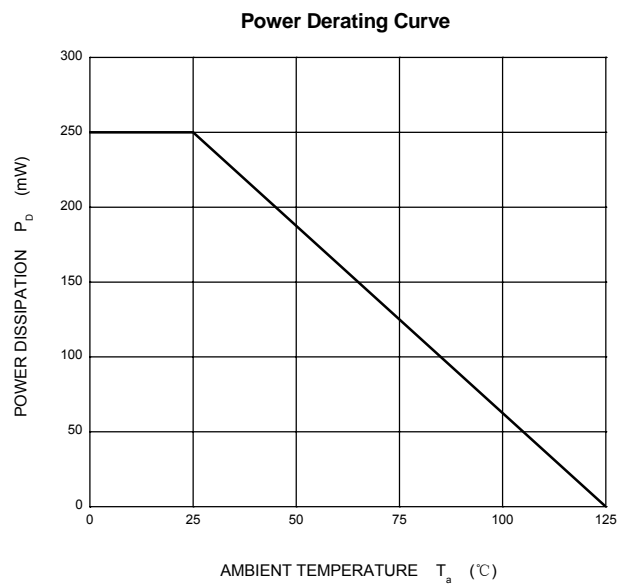
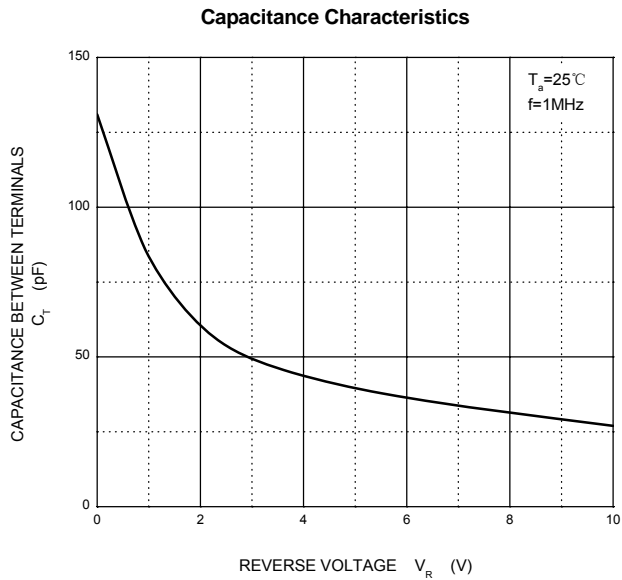
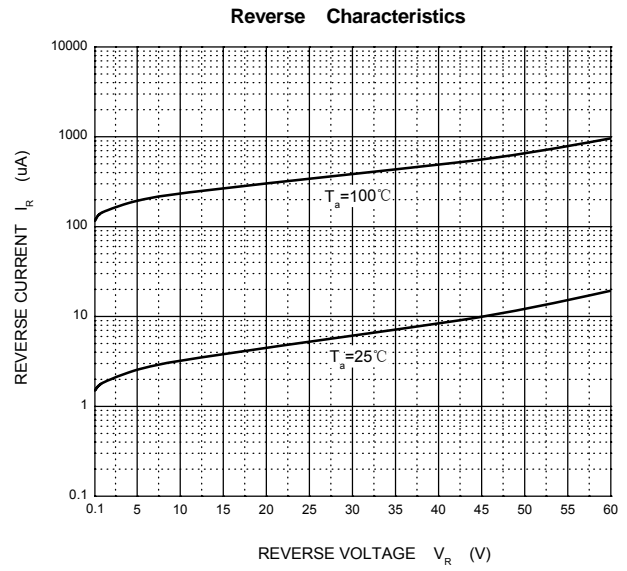
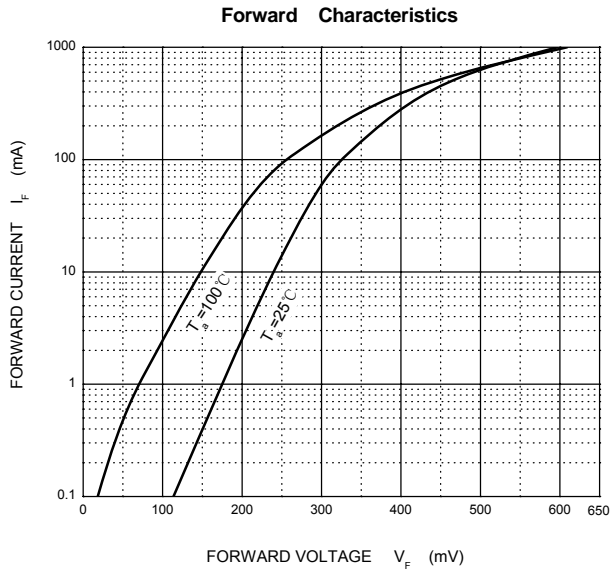
Symbol	Parameter	Value	Unit
$V_{RRM}$	Maximum recurrent peak reverse voltage	60	V
$V_{RMS}$	Maximum RMS voltage	42	
$V_{DC}$	Maximum DC blocking voltage	60	
$I_F$	Continuous forward current	1	A
$I_{FSM}$	Non-repetitive Peak forward surge current@t=8.3ms	10	
$P_{tot}$	Total power dissipation	250	mW
$R_{\theta JA}$	Thermal resistance junction to ambient air	400	°C/W
$T_J$	Junction temperature	125	°C
$T_{stg}$	storage temperature	-55~+150	°C

### ELECTRICAL CHARACTERISTICS(Ta=25°C unless otherwise specified)

Parameter	Symbol	Test conditions	Min	Typ	Max	Unit
Maximum instantaneous forward voltage	$V_F$	$I_F=1A$			0.7	V
Maximum DC reverse current at rated DC blocking voltage	$I_R$	$V_R=60V$			0.1	mA
Total capacitance	$C_{tot}$	$V_R=4V, f=1MHz$			120	pF



## Typical Characteristics

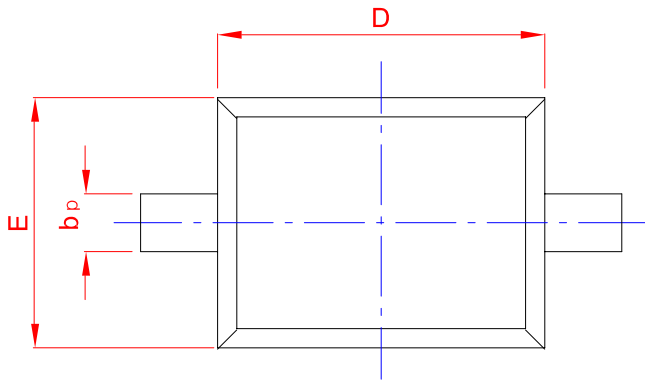
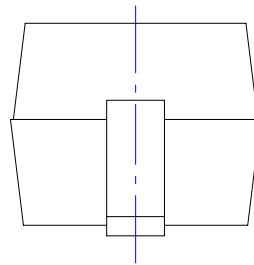
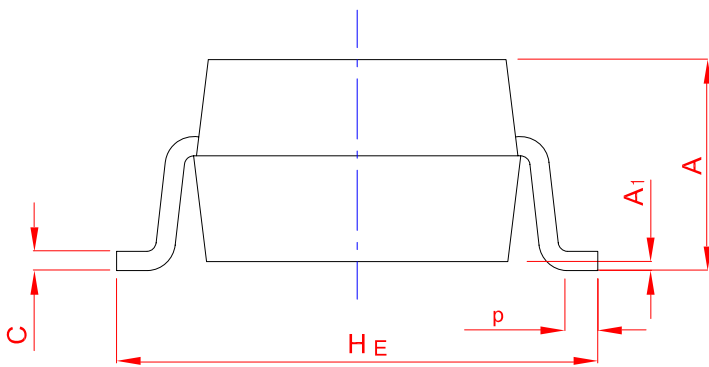
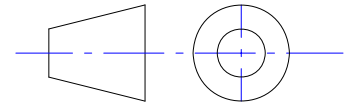




## PACKAGE OUTLINE

Plastic surface mounted package; 2 leads

SOD-323



UNIT	A	bp	C	D	E	HE	A1	Lp
mm	1.20	0.40	0.15	1.80	1.35	2.80	0.10	0.50
	0.90	0.25	0.10	1.60	1.15	2.30	0.01	0.20